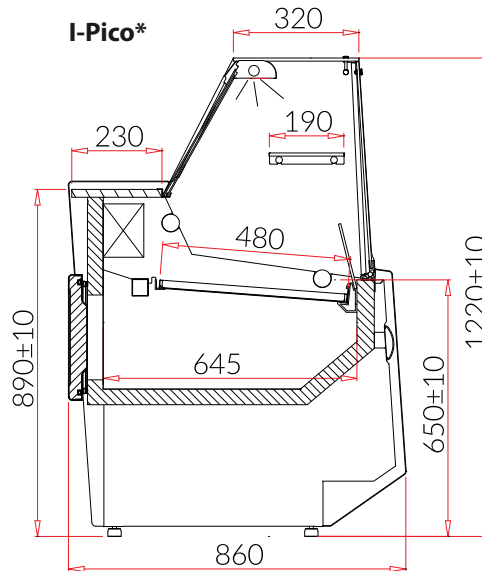


## Refrigerated Serve Overs - I-Pico



### Technical parameters:

Model	Dimension (ext.) H x W x D [mm]	Display surface [m <sup>2</sup> ]	Power Consumption [kWh/24h]	Weight [kg]
I-Pico 0.98	1220 x 1060 x 860	0,50	4,00	110
I-Pico 1.22	1220 x 1300 x 860	0,60	4,00	130
I-Pico 1.42	1220 x 1500 x 860	0,70	4,10	150
I-Pico 1.62	1220 x 1700 x 860	0,80	5,10	170
I-Pico 1.96	1220 x 2040 x 860	1,00	5,10	190
I-Pico 2.44	1220 x 2520 x 860	1,25	6,30	220

\* - Picture above presents unit with either some or all available extras. Please note that the look of basic version of cabinet, or one of your choice, may vary from presented.

## Refrigerated Serve Overs - I-Pico



### Description:

- temperature range +1 / +8°C
- preferred ambient temperature +16 / +25°C
- power supply 230V / 50Hz
- internal condensing unit
- ecological polyurethane insulation
- external housing made of white coated steel - from staff side
- base and front made of powder coated steel - white
- aluminium glass frames colour - choice of colours
- display deck depth 480mm
- exposition surface made of white coated steel
- refrigerated under-storage made of white coated steel
- 230mm width worktop - made of stainless steel
- electronic control with temperature display
- automatic defrost system
- static air circulation
- square front glass - openable
- interior LED lighting (meat colour)
- ABS side walls (40mm thick) - choice of colours
- 1 year full warranty service and after warranty service provided

### Choice of colours:

Side walls colours: 

Bumper colours: 

Aluminium frames colours: 

### Optional colours:

Granites: 

Front colours: 

Base colours: 

### I-Pico\*

#### Available options:

- multiplexing
- prepared to work with external condensing unit
- external housing made of stainless steel (staff side)
- front panel colour - optional colours
- base colour - optional colours
- front panel made of stainless steel
- base made of stainless steel
- exposition area made of stainless steel
- exposition area made of acid resistant stainless steel
- storage chamber made of stainless steel
- storage chamber made of acid resistant stainless steel
- powder painted evaporator
- worktop made of granite (grey) 20mm thick
- worktop made of granite (blamoral) 20mm thick
- worktop made of granite (black) 20mm thick
- LED light colour (white)
- LED light colour (confectionary)
- additional exposition glass shelf (ambient)
- customer front shelf (aluminium profile gold or silver colour)
- set of wheels (castors)
- perspex blinds
- small movable table (on rails)
- movable partition (glass on stands, placed in exposition area)
- fixed top partition (high glass fixed in exposition area)
- automatic condensate evaporation (internal condensing unit only)
- analog thermometer
- socket with fuse

\* - Picture above presents unit with either some or all available extras. Please note that the look of basic version of cabinet, or one of your choice, may vary from presented.